



# TESS 602 DATASHEET

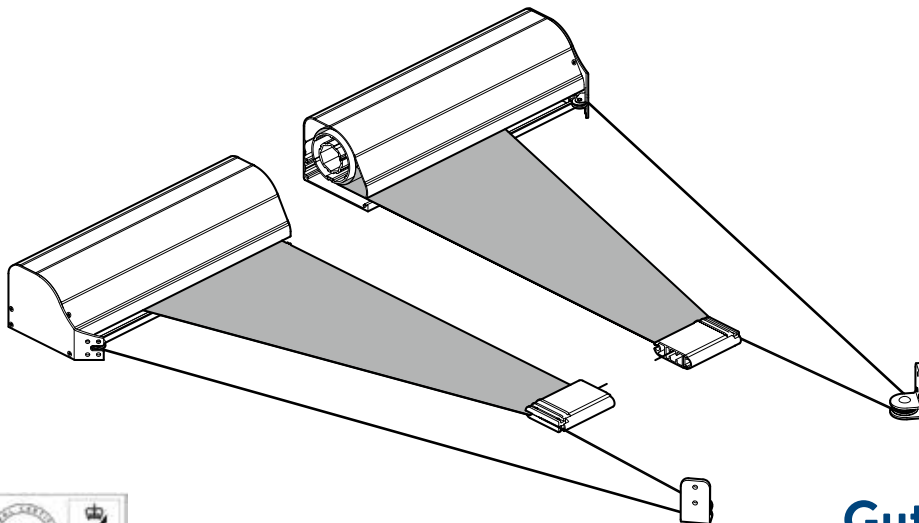
## COMPACT TRAPEZOIDAL SYSTEM

Stylish solution for bespoke shapes. Any angle, any direction, anywhere.

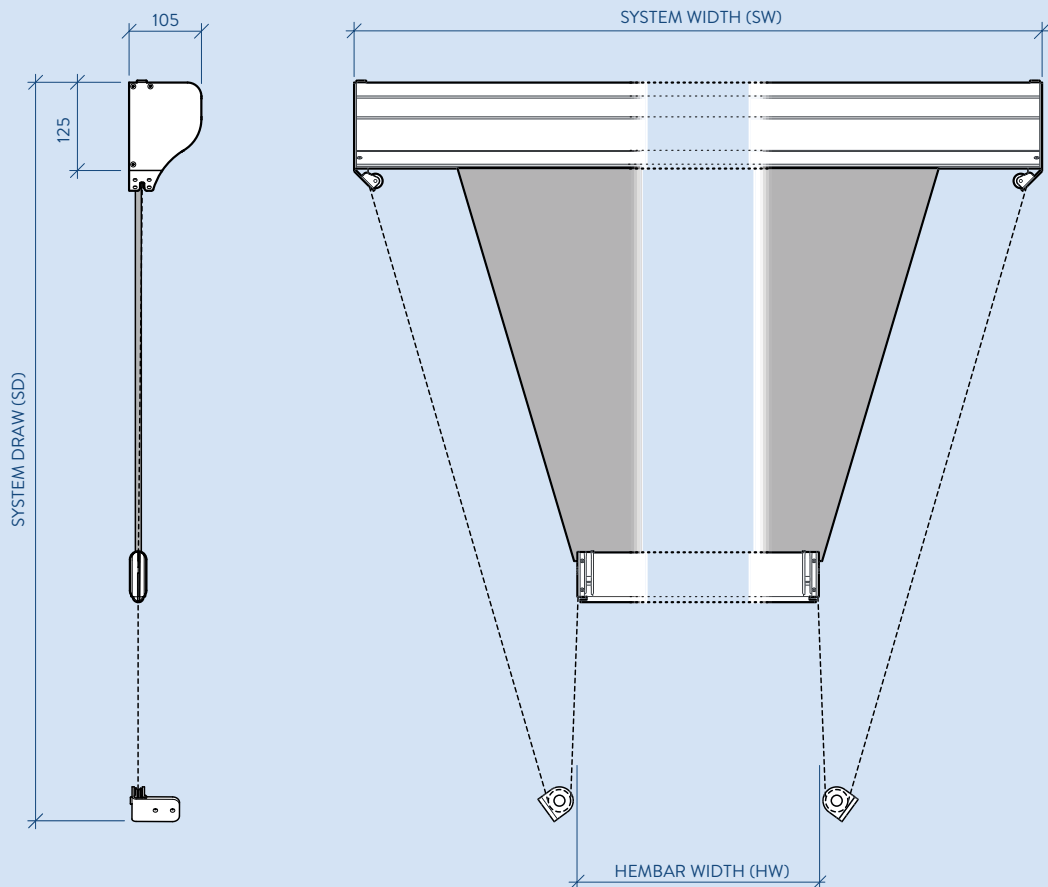
Modern glazing design is anything but square. For special shapes including domes and tapered windows, the TESS 602 provides an adaptable, compact solution. The compact headbox makes it easy to design into the glazing surround, inside or out, for near invisibility when retracted. Relieving rollers allow the blind to follow the direction of the curve whilst ultra-thin tension cables maintain fabric tension. Unlimited colour finishes and a wide range

of fabrics make it suitable for any project. Our single barrel mechanism keeps the fabric constantly under tension and produces a smooth, quiet travel.

- Compact single barrel system
- Trapezoidal or uneven shapes
- Domes, angles and curves
- Ultra-quiet motor
- Reliable and robust



**Guthrie Douglas**



## KEYFACTS

Typical use	Flat, curved or sloped glazing
Shape	Trapezoid
Running direction	Any
Guides	None
Width	650 mm - 3000 mm
Draw	≤3000 mm
Fabric area	≤9 m <sup>2</sup>
Brackets	Aluminium
Relieving rollers	Aluminium
Finish	RAL Powder coat
Installation options	Top, back

## TECHNICALINFO

Fabric tension	>100 N
Weight exc. fabric	~8 kg + 4 kg/m width
Fixing load	≤15 kg per bracket
Operating temp.	0 to 55 °C
Motor	9 Nm, 12 rpm
Electrical	230 V, 50 Hz, 120 W, 0.55A
	120 V, 60 Hz, 130 W, 0.98A
Max run time	4 min
Fabric speed	~3 m/min
Controls	Radio, Wired

